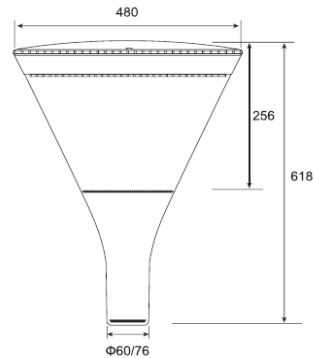


SYMBOL	TYPE	PRODUCT NAME	CONTACT NAME / NUMBER
		POLE LIGHT	



SPECIFICATIONS	DESCRIPTION
INPUT VOLTAGE : 100-305Vac	HOUSING MATERIAL DIE-CAST ALUMINUM. SEALING MATERIAL SILICONE RUBBER. COVER MATERIAL PC DIFFUSER(UV) HOUSING COLOR LIGHT GREY,DRAK GREY,BLACK. LIGHT GUIDING SYSTEM PC LENSES.
LED POWER : 30W	
TEMPERATURE RANGE : -25°C TO +55°C	
LUMEN FLUX : $\geq 2100$	
SYSTEM EFFICIENCY : 70lm/W	
POWER EFFICIENCY : 89%	
POWER FACTOR : >0.90	
COLOR TEMPERATURE : 1,750-6,500K	
COLOUR RENDERING INDEX (CRI) : Ra>80	
IP RATING : IP66	
LIGHTNING PROTECTION : 10KV	<b>INSTALLATION</b>
LED LIFETIME : 50,000 HOURS AT 25°C	SURFACE FLOOR MOUNTED.
	<b>STANDARD</b>
	TIS. 1955-2551

MODEL	LAMP		DIMENSION (mm.)			REMARK
	WATT	TYPE	D1	D2	H	
DLED-PL353-2201	30W.	COB	Ø480	Ø60/76	618	